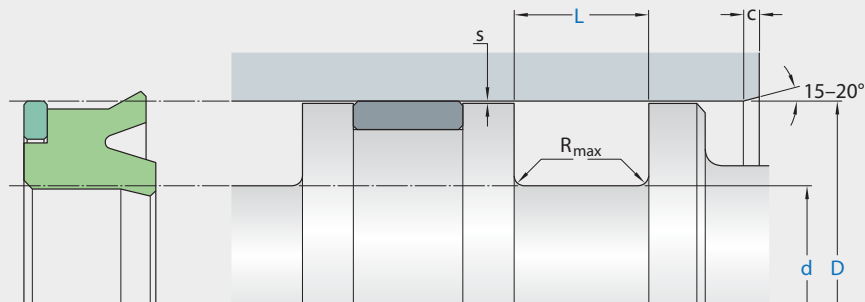


K02-R



Ordering dimensions in blue

Surface roughness	R_{tmax}	R_a
Sliding surface	$\leq 2,5 \mu m$	$0,05-0,2 \mu m$
Bottom of groove	$\leq 6,3 \mu m$	$\leq 1,6 \mu m$
Groove face	$\leq 15 \mu m$	$\leq 3 \mu m$

Bearing area: 50–95% and a cutting depth of $0,5 R_z$, based on $C_{ref} = 0\%$

Standard dimensions						Maximal radial extrusion gap		
D	H9	d	L	R_{max}	c	s^*		
over	incl.	h10	+ 0,2			20 bar	100 bar	250 bar
mm						mm		
13	25	D – 8	6,0	0,4	3,5	0,80	0,80	0,52
25	50	D – 10	7,0	0,4	4,0	1,00	1,00	0,66
50	75	D – 12	8,0	0,4	4,5	1,25	1,20	0,72
75	150	D – 15	10,0	0,4	5,0	1,50	1,40	0,78
150	300	D – 20	12,0	0,4	6,0	2,00	1,66	0,88
300	500	D – 25	18,0	0,4	8,5	2,50	1,91	1,00
500	750	D – 30	20,0	0,4	10,0	3,00	2,18	1,13
750		D – 40	26,0	0,4	13,0	3,00	2,18	1,13

application



not bolded symbols; please consult our technical for application limitations

* Extrusion gap values shown above are valid for a temperature of 70 °C, higher temperatures require lower values.

