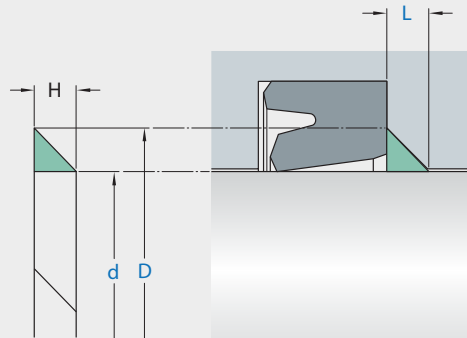


ST12



Ordering dimensions in blue

Sealing material Surface roughness	TPU / Elastomers		PTFE	
	R_{tmax}	R_a	R_{tmax}	R_a
	m		m	
Sliding surface	$\leq 2,5$	0,05–0,3	≤ 2	0,05–0,2
Bottom of groove	$\leq 6,3$	$\leq 1,6$	$\leq 6,3$	$\leq 1,6$
Groove face	≤ 15	≤ 3	≤ 15	≤ 3

Bearing area: 50–95% and a cutting depth of 0,5 R_z based on $C_{ref} = 0\%$

Standard dimensions

Minimum nominal inside diameter
 $d \geq 4,5$ mm.

Profile size, surface data and tolerances are the result of a combination of the relevant application specific sealing material. Standard version: cutting gap 0, cut 45°.

application



operating parameters & material

diameter range: up to 600 mm

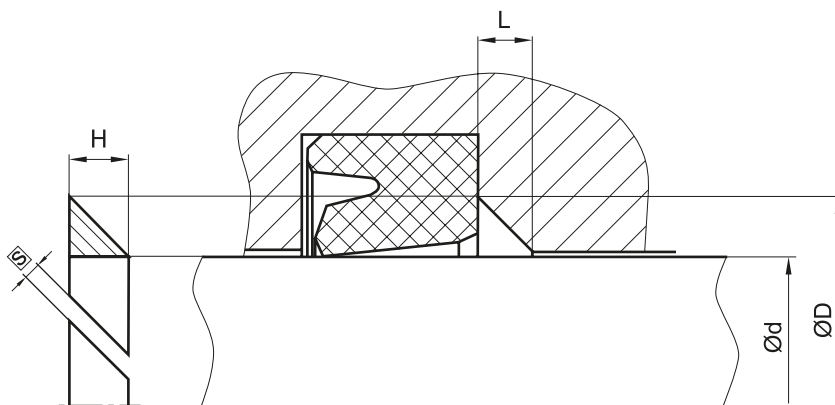
material	temperature
Ecotal ²	-50 °C ... +100 °C
Ecomid ²	-40 °C ... +100 °C
Ecoflon 2	-200 °C ... +260 °C

the stated operation conditions represent general indications. it is recommended not to use all maximum values simultaneously. surface speed limits apply only to the presence of adequate lubrication film.

² Ecotal up to ø260 mm, Ecomid above ø260 mm.

seal & housing recommendations

please note that we are able to produce those profiles to your specific need or any non standard housing. for detail measurements, please see seal-mart catalog...



variations:

- cutting gap width $s=0\text{mm}$
- endless