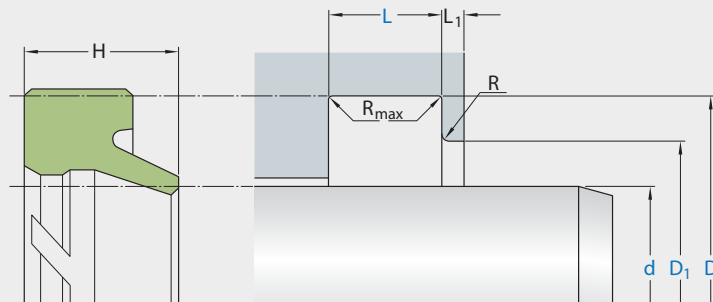


# A02-A



Ordering dimensions in blue

Surface roughness	$R_{tmax}$	$R_a$
Sliding surface	$\leq 2,5 \mu m$	$0,05-0,3 \mu m$
Bottom of groove	$\leq 6,3 \mu m$	$\leq 1,6 \mu m$
Groove face	$\leq 15 \mu m$	$\leq 3 \mu m$

Bearing area: 50–95% and a cutting depth of  $0,5 R_z$ , based on  $C_{ref} = 0\%$

Standard dimensions		D	D <sub>1</sub>	L	L <sub>1</sub>	R <sub>max</sub>	R	H
d	f8	H11	H11	+0,2				
over	incl.							
mm								
11	50	$d+8$	$d+4$	5	$\geq 2$	0,4	$\leq 0,3$	8
50	100	$d+10$	$d+5$	6	$\geq 2$	0,4	$\leq 0,3$	9,7
100		$d+15$	$d+7,5$	8,5	$\geq 2$	0,4	$\leq 0,3$	13

## application



not bolded symbols; please consult our technical for application limitations

## operating parameters & material

diameter range: up to 600 mm

material	temperature	max. surface speed	hydrolysis	dry running	wear resistance
ECOPUR	-30 °C ... +110 °C	4 m/s	-	+	++
H-ECOPUR	-20 °C ... +110 °C	4 m/s	++	+	++
T-ECOPUR	-50 °C ... +110 °C	4 m/s	-	+	++
S-ECOPUR	-20 °C ... +110 °C	5 m/s	++	++	++
G-ECOPUR	-30 °C ... +110 °C	4 m/s	++	+	++
Ecorubber 1	-30 °C ... +100 °C	4 m/s	-	-	O
Ecorubber 2	-20 °C ... +200 °C	4 m/s	-	-	O
Ecorubber 3 <sup>2</sup>	-50 °C ... +150 °C	4 m/s	++	-	O
Ecorubber H	-25 °C ... +150 °C	4 m/s	+	O	+
X-ECOPUR	-30 °C ... +110 °C	4 m/s			
XH-ECOPUR	-20 °C ... +110 °C	4 m/s			
XS-ECOPUR	-20 °C ... +110 °C	5 m/s			

*the stated operation conditions represent general indications. it is recommended not to use all maximum values simultaneously. surface speed limits apply only to the presence of adequate lubrication film.*

<sup>2</sup> attention: not suitable for mineral oils!

++ ... particularly suitable

o ... conditional suitable

+ ... suitable

- ... not suitable

*for detailed information regarding chemical resistance please refer to our "list of resistance". for increased chemical and thermal resistance rubber materials are to be preferred, polyurethan materials increase wear resistance.*

## surface quality

surface roughness	Rtmax (µm)	Ra (µm)
sliding surface	according to seal data	
bottom of groove	≤6,3	≤1,6
groove face	≤15	≤3

## tolerance recommendation

seal housing tolerances		cs	R [mm]
L < 10 mm	0,2	≤ 5	max. 0,3
L ≥ 10 mm	0,3	>5.....≤ 7,5	max. 0,4
D1	H11	>7,5.....≤ 10	max. 0,6
D	H11	> 10	max. 0,8

## mode of installation

the prerequisites for perfect functioning are careful fitting and an accurately dimensioned mounting space. in general, wipers snap easily into their housings when distorted into a kidney shape (over 20mm diameter).